

M M

P M

MPOP



GENERAL SPECIFICATIONS



Dimensions 60" x 29½" x 39 ¼"
 Weight 233 lbs.
 Operating Capacity 70-76 gallons

Features:

PVC Drain

- Size - 2"
- Horizontal
- Plunger with Chain

Door

- Opening Width - 39 ¼"
- Door Opening Clearance Height – 12 ¼"
- Patented Door System Technology
- Aluminum Door and Frame

Acrylic Shell

- White
- Smooth
- Non-skid Floor
- Acrylic Surface with Fiberglass Substrate
- One Grab Bar
- Stainless Steel Frame
- Front Deck for Faucet Locations

Options

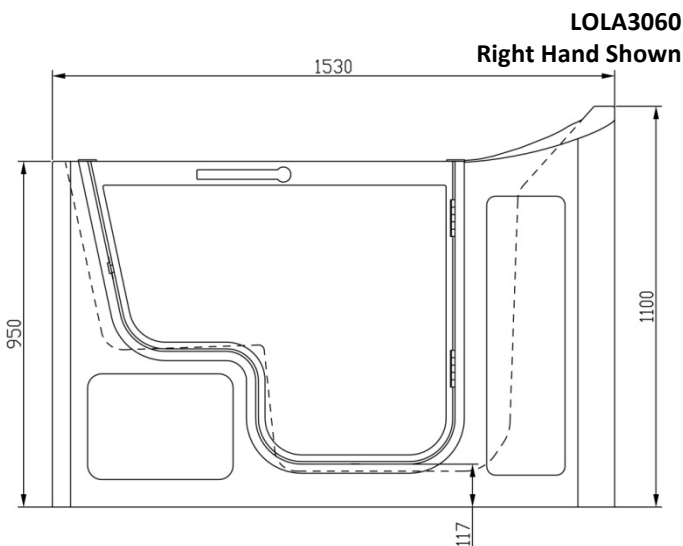
- Valve
- Dual Air and Micro-bubble Jetting System
- Micro-Bubble Jetting System
- Air jetting System

Accessories

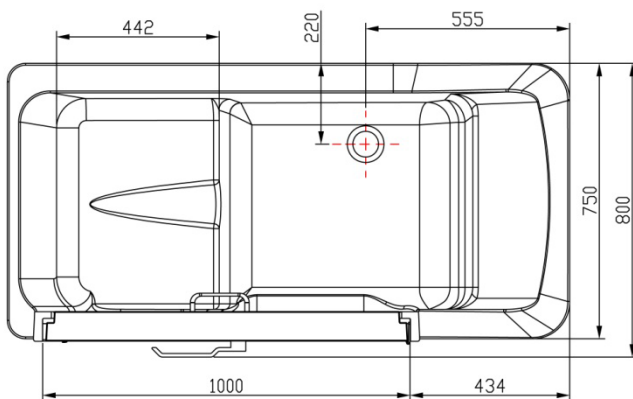
- End Panels

Compliance Certifications – Meets or Exceeds the Following Specifications:

- cETL – Intertek
- cUPC / USPC – IAPMO
- ANSI Z 124.1.2 – for Plastic Bathtubs
- ASME A112.19.7 – Whirlpool Appliances
- ASME A112.19.15 – for Walk in Bathtubs
- CSA B45.5 – Canadian Plumbing Fixtures



Front View



Top View

In an effort to continually improve our product, specifications and configurations are subject to change without notice.

Before ordering or installing, consider future access to essential equipment.